



New Compositions
F07 Lumi - Mycena

Lumi

F07 PMG Mycena

A.Saggia & V.Sommella

Composed of:

1xF07 G15 01

1xF07 G17 01

1xF07 G19 01

1xF07 Z01 01 (shaped panel for compositions)

Diffusers in satin-finish white blown glass. Supporting structure made of metal or polyester reinforced with glass fibre, painted white.

tipology



suggested bulb and options (n.i.)

A10207C12	A10208C12	OR	A10212C10	A10213C10
E27 2x100W HSGST	E27 1x150W HSGST		E27 1x15W FBG	E27 1x20W FBG

volume - weight

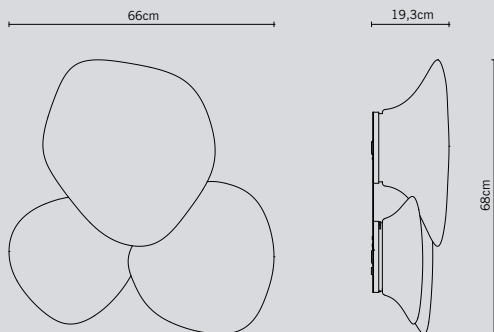
0,172 m³ - 13,25 Kg

technical information

IP40

accessories included

technical drawing



Lumi

F07 PMM Mycena

A.Saggia & V.Sommella

Composed of:

1x F07 G15 01

2x F07 G17 01

1x F07 Z01 01 (shaped panel for compositions)

Diffusers in satin-finish white blown glass. Supporting structure made of metal or polyester reinforced with glass fibre, painted white.

tipology



suggested bulb and options (n.i.)

A10207C12

E27
3x100W
HSGST

OR

A10212C10

E27
3x15W
FBG



volume - weight

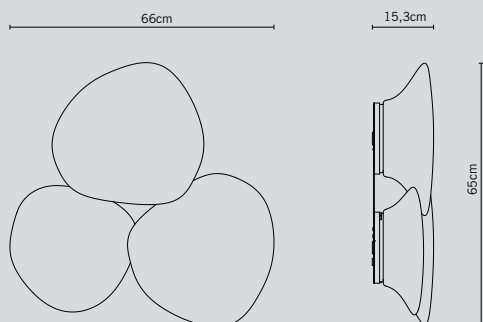
0,155 m³ - 11,70 Kg

technical information

IP40 

accessories included

technical drawing



Lumi

F07 PPM Mycena

A.Saggia Et V.Sommella

Composed of:

2x**F07 G15 01**

1x**F07 G17 01**

1x**F07 Z01 01** (shaped panel for compositions)

Diffusers in satin-finish white blown glass. Supporting structure made of metal or polyester reinforced with glass fibre, painted white.

tipology



suggested bulb and options (n.i.)

A10207C12

E27
3x100W
HSGST

OR

A10212C10

E27
3x15W
FBG



volume - weight

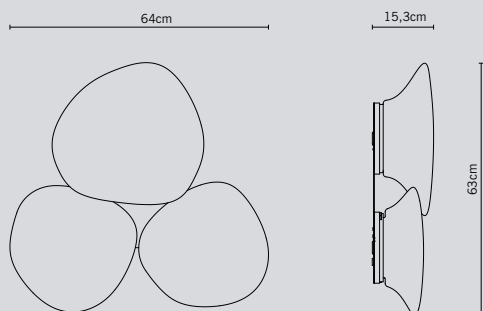
0,138 m³ - 10,70 Kg

technical information

IP40 

accessories included

technical drawing



Lumi

F07 PPP Mycena

A.Saggia & V.Sommella

Composed of:

3x F07 G15 01

1x F07 Z01 01 (shaped panel for compositions)

Diffusers in satin-finish white blown glass. Supporting structure made of metal or polyester reinforced with glass fibre, painted white.

tipology



suggested bulb and options (n.i.)

A10207C12

E27
3x100W
HSGST

OR

A10212C10

E27
3x15W
FBG



volume - weight

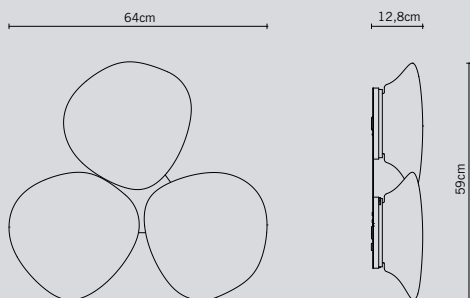
0,121 m³ - 9,70 Kg

technical information

IP40 

accessories included

technical drawing



Italy

Fabbian Illuminazione Spa
Via Santa Brigida 50
31020 Castelminio di Resana
Treviso
tel. +39 0423 4848
fax +39 0423 484395
numero verde 800 800 444
www.fabbian.com

sales

italia@fabbian.com
export@fabbian.com

mkt & com

comunicazione@fabbian.com

Brasil

Fabbian Brasil
Rua Julio C. Riberio de Souza 331
Hauer 81610 -120
Curitiba, PR, Brasil
fone +55 41 3284 4000
fax +55 41 3284 4001
www.fabbian.com.br

sales

brasil@fabbian.com

USA e Canada

Fabbian Usa Corp.
161 Dwight Pl.
Fairfield, NJ 07004, USA
ph. +1 973 882 3824/3825
fax +1 973 882 3826
+1 866 Fabbian
www.fabbian.com

sales

usa@fabbian.com
canada@fabbian.com

mkt & com

marketing.usa@fabbian.com